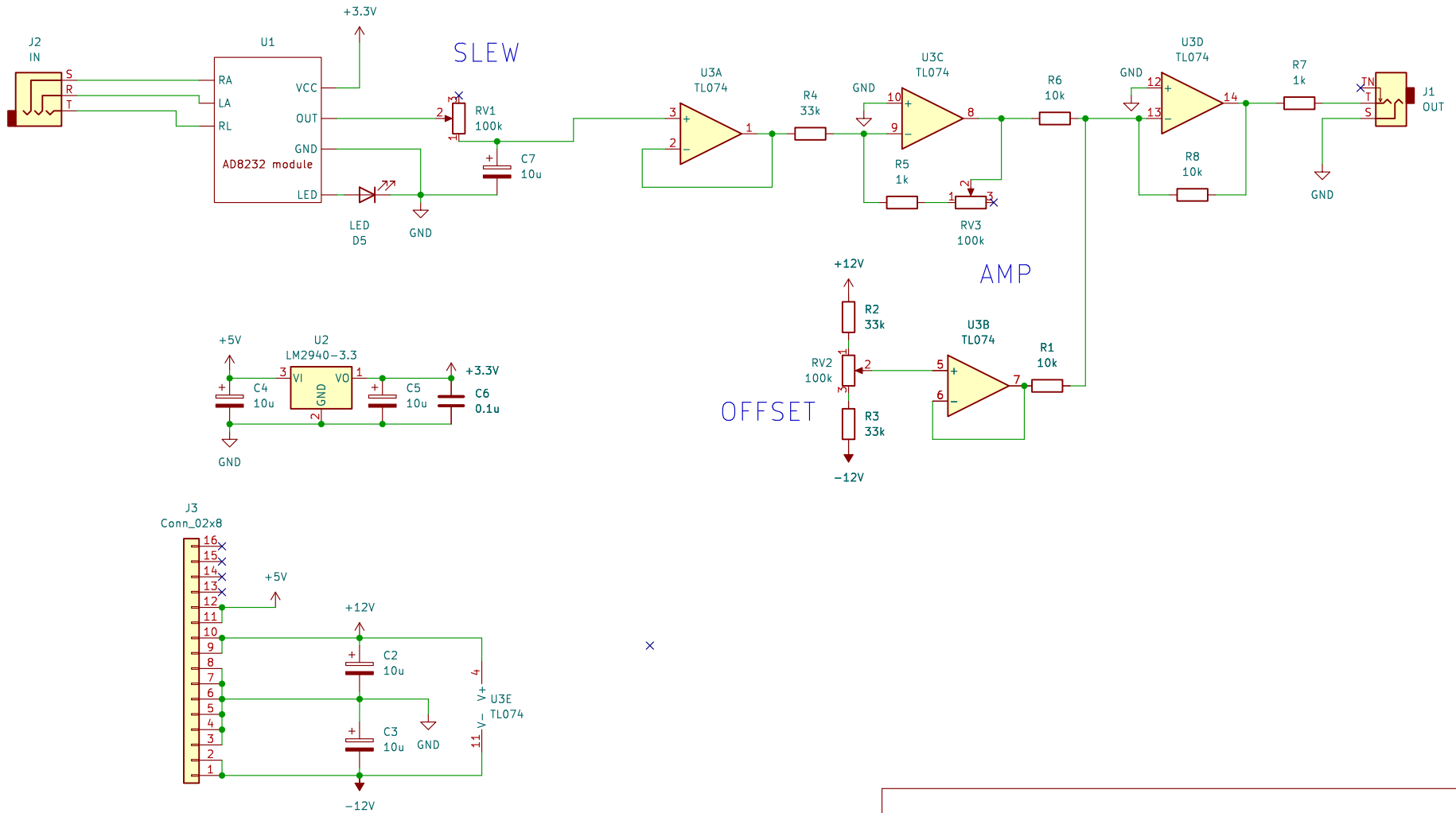


Add 1uF*2 to the CR high-pass filter C of the module.
Remove the SDM LED on the module.



HAGIWO

Sheet: /

File: biofeedback.kicad_sch

Title: Bio-feedback CV

Size: A4

Date: 2023/OCT/31

KiCad E.D.A. kicad 7.0.6

Rev: ver01

Id: 1/1