

Vargas

PANTIES

Sizes 2-20

5/8 inch (in) (1.5 cm) seam allowances are included on all pattern pieces.



SIZES 2-20
PATTERN
SIZE KEY

2	—————
4	- - - - -
6
8	- . - . -
10	- . . . -
12	-
14	-
16	-
18	-
20	-

SYMBOL KEY

grainline arrow



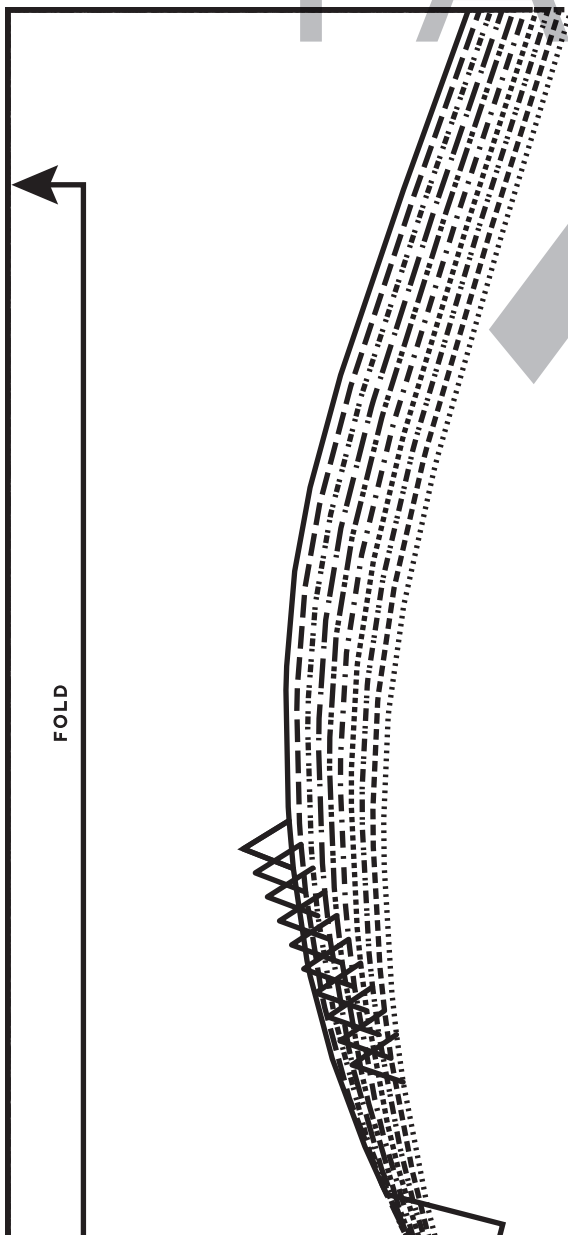
match point/
placement mark



© 2023 Charm Patterns
by Gertie. Distribution
and Commercial Use
Prohibited.

2 cm
test
square

1 in
test
square



FOLD BACK THIS MARGIN

FOLD BACK THIS MARGIN

A1



PAGE

2

FOLD BACK THIS MARGIN



FOLD

Society of CHARM

Vargas

PANTIES

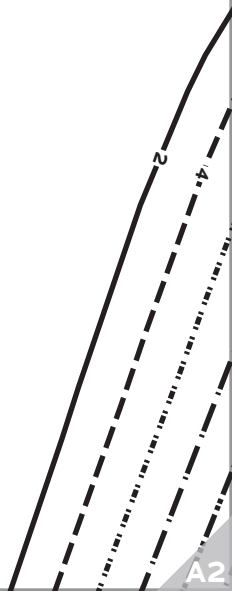
SIZES 2-20

2

Bikini Panties
Back Panel

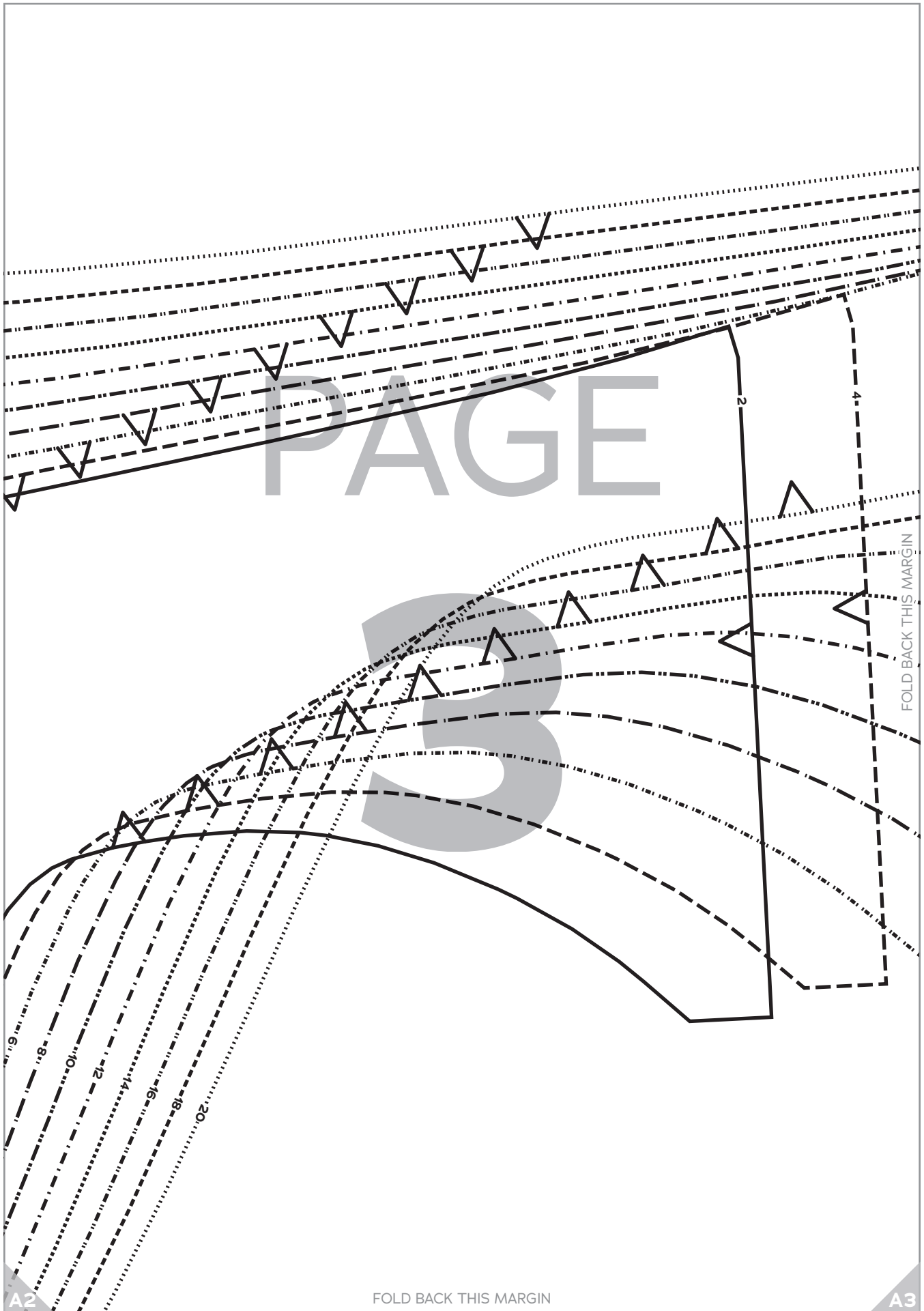
Cut 1 fabric on fold

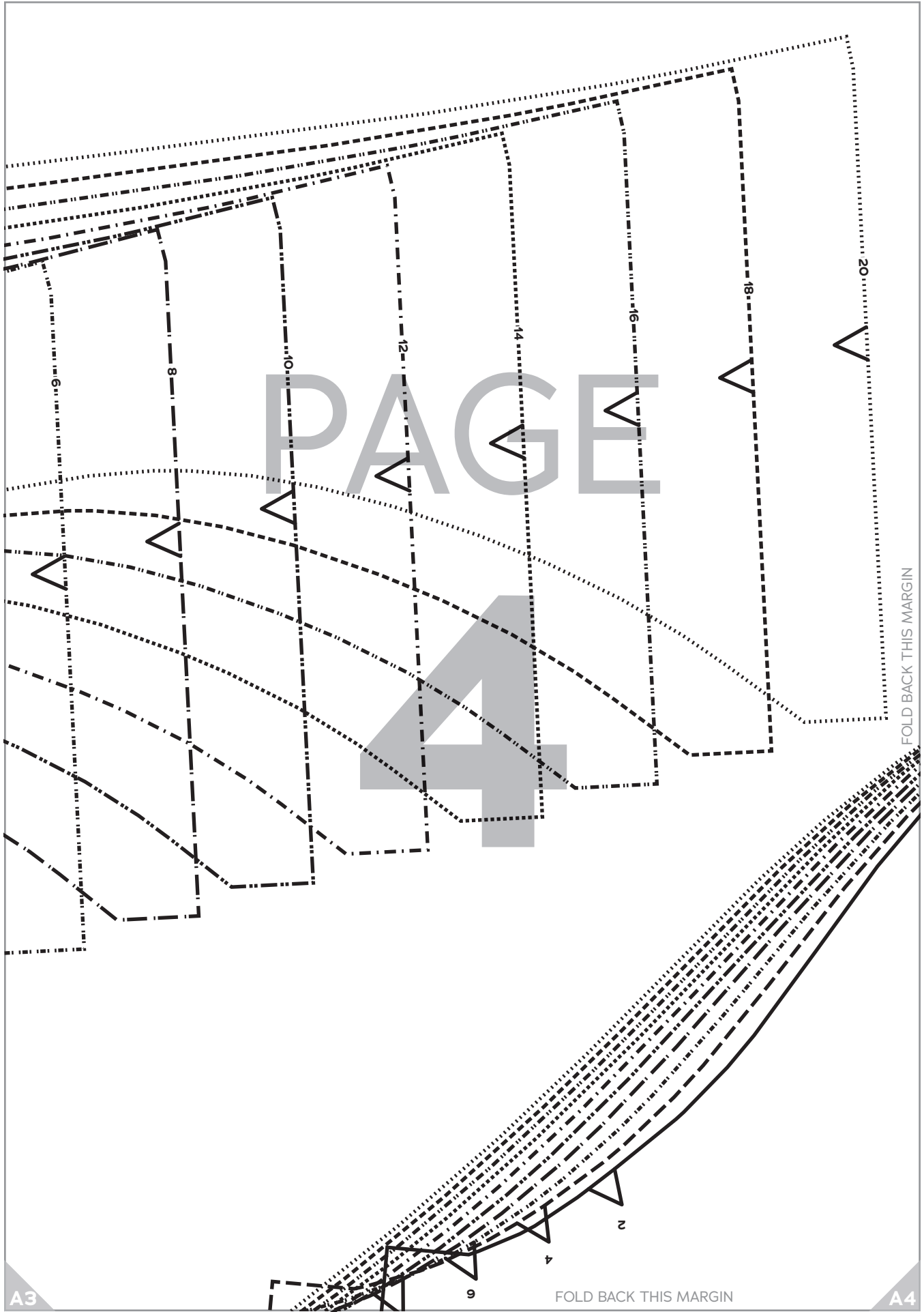
FOLD BACK THIS MARGIN



A2

A1





PAGE

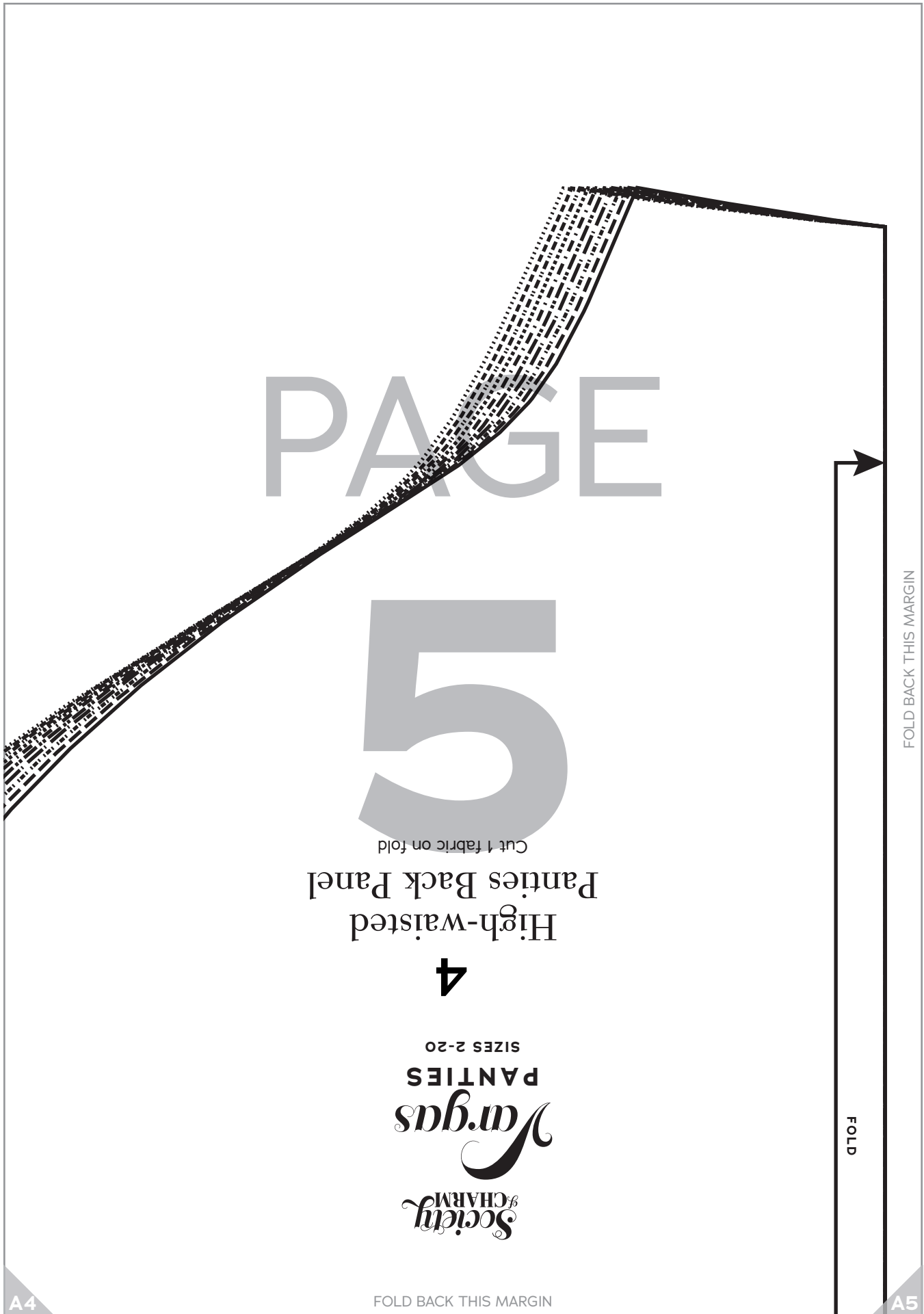
4

FOLD BACK THIS MARGIN

FOLD BACK THIS MARGIN

A3

A4



PAGE

5

Cut 1 fabric on fold

Panties Back Panel
High-waisted

4

SIZES 2-20

Vargas
PANTIES

Society
of CHARM

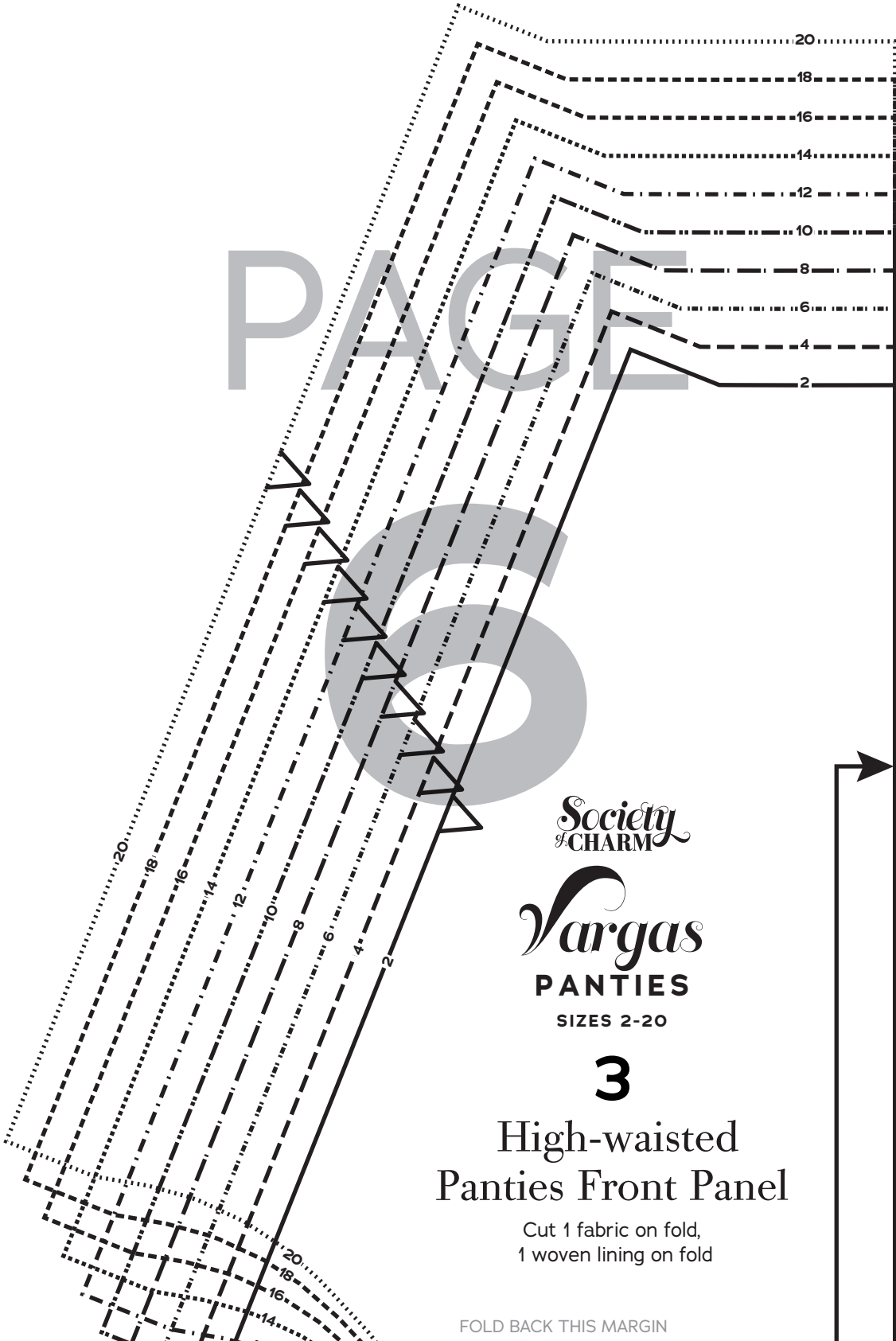


FOLD BACK THIS MARGIN

FOLD

FOLD BACK THIS MARGIN

PAGE



Society
of CHARM

Vargas

PANTIES

SIZES 2-20

3

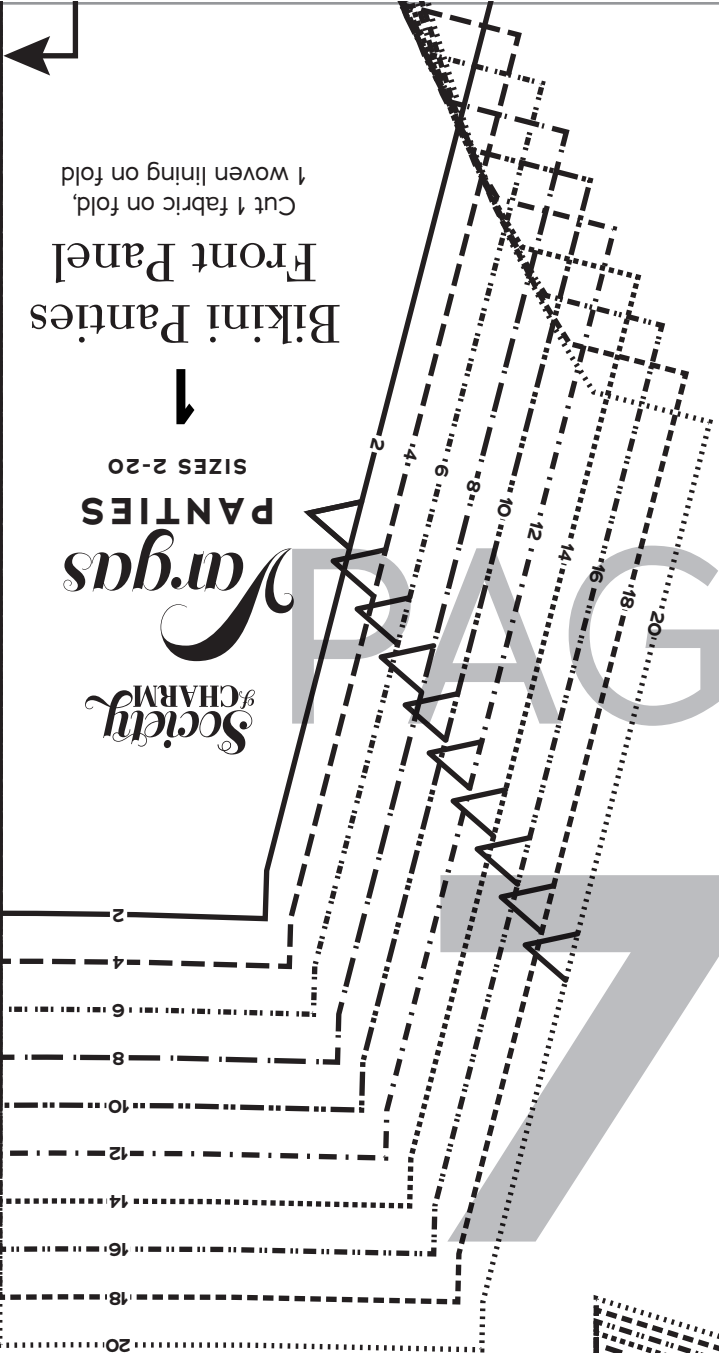
High-waisted
Panties Front Panel

Cut 1 fabric on fold,
1 woven lining on fold

FOLD BACK THIS MARGIN

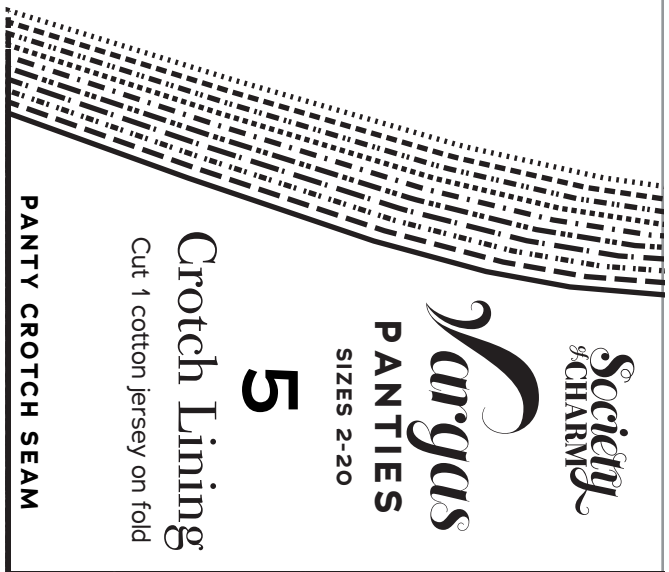
A5

FOLD BACK THIS MARGIN



Bikini Panties
Front Panel
 Cut 1 fabric on fold,
 1 woven lining on fold

SIZES 2-20
PANTIES
Vargas
 Society of CHARM



PANTY CROTCH SEAM

Crotch Lining
 Cut 1 cotton jersey on fold

5
Vargas
PANTIES
 SIZES 2-20
 Society of CHARM

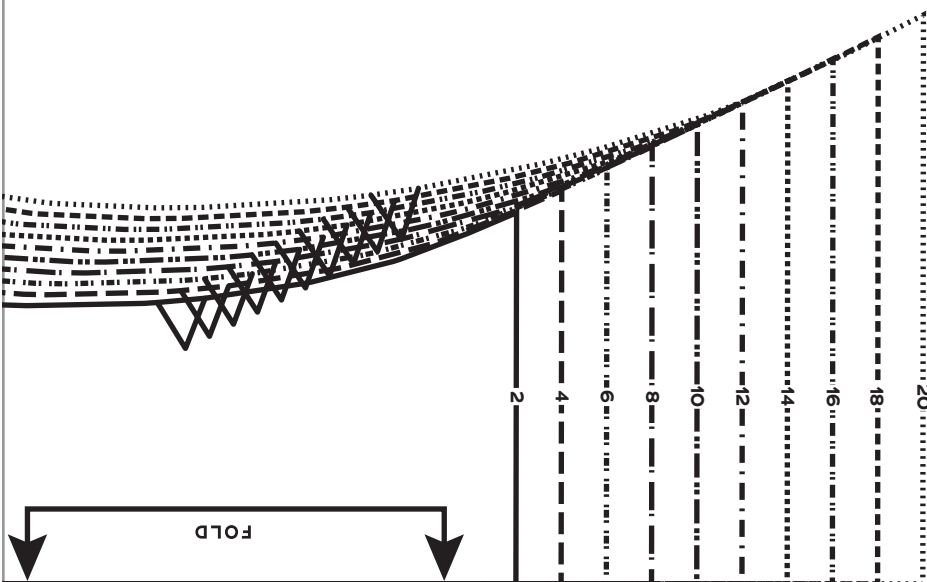
A1

A2

PAGE

8

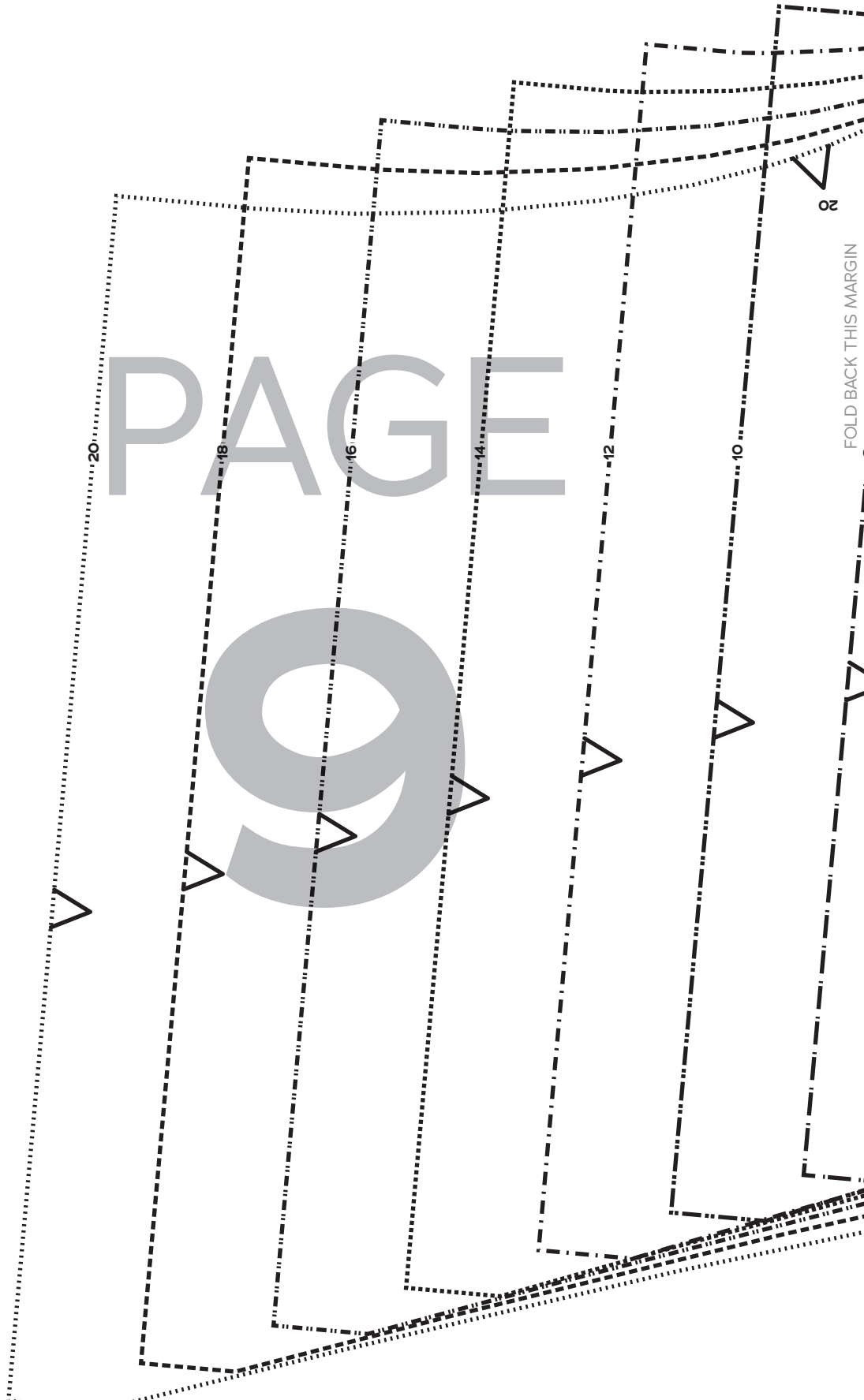
FOLD BACK THIS MARGIN



A2

A3

PAGE 9



20

20

18

16

14

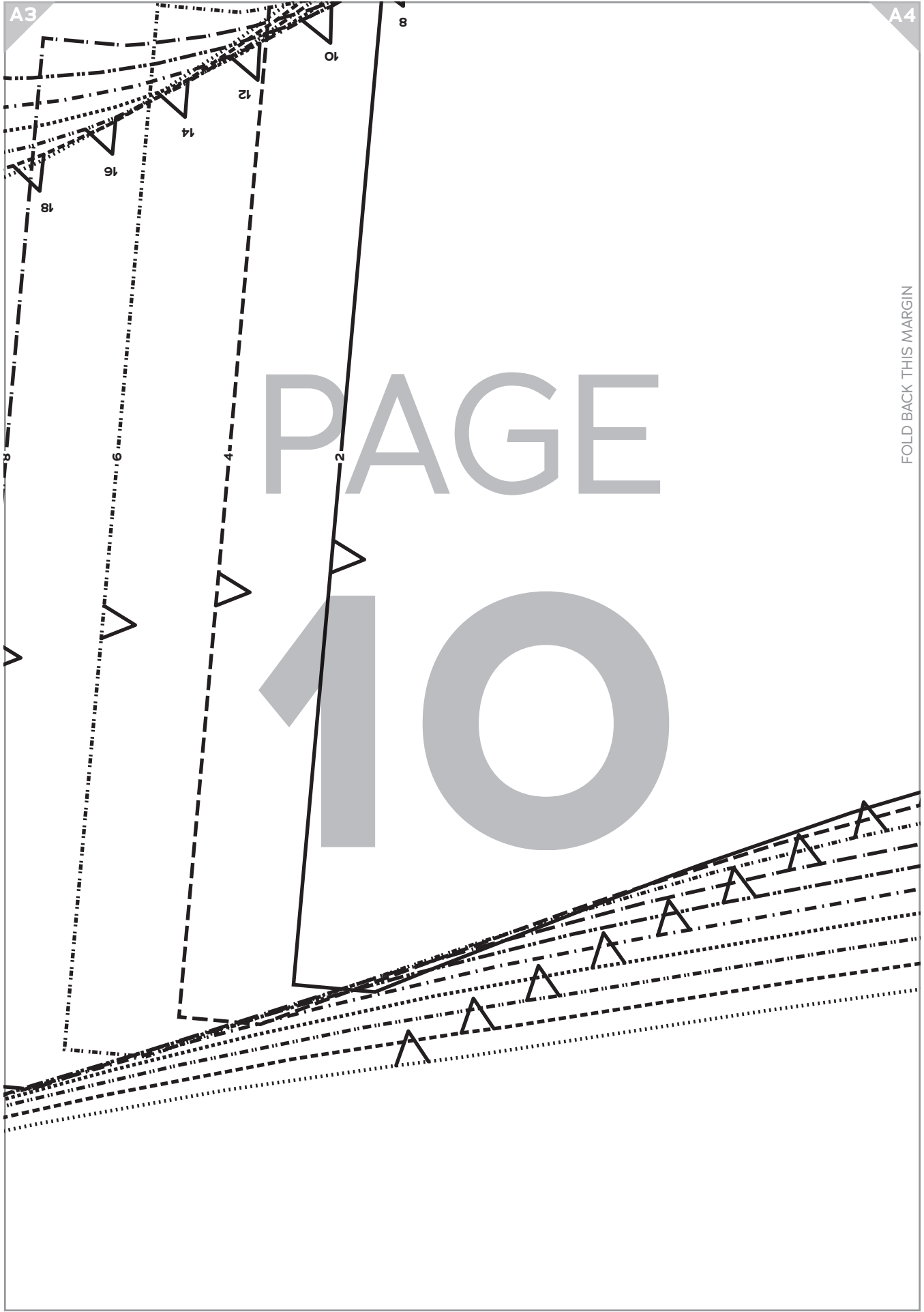
12

10

FOLD BACK THIS MARGIN

A3

A4

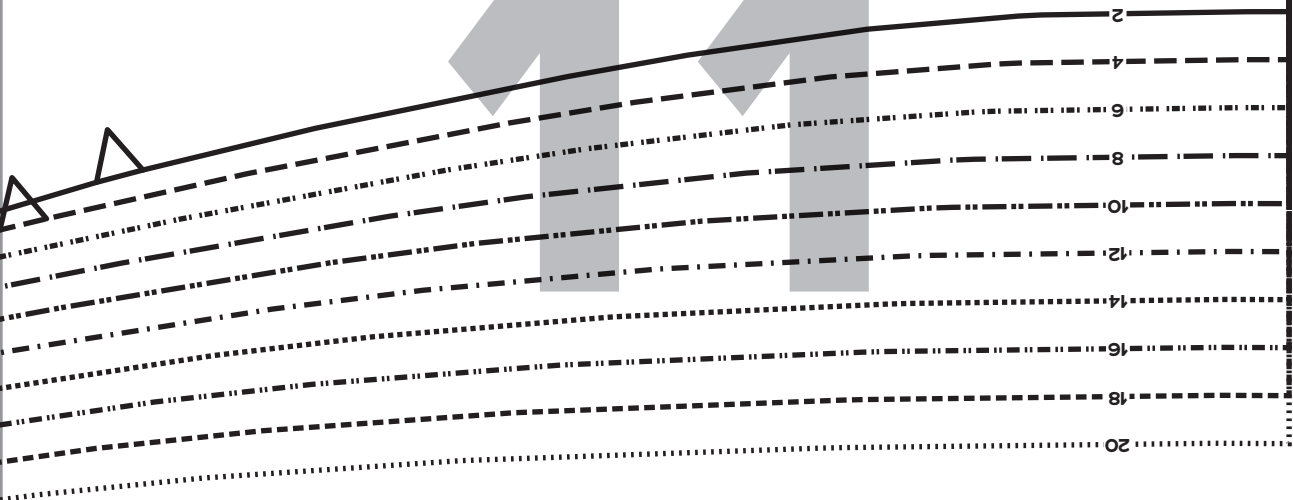


PAGE
10

FOLD BACK THIS MARGIN

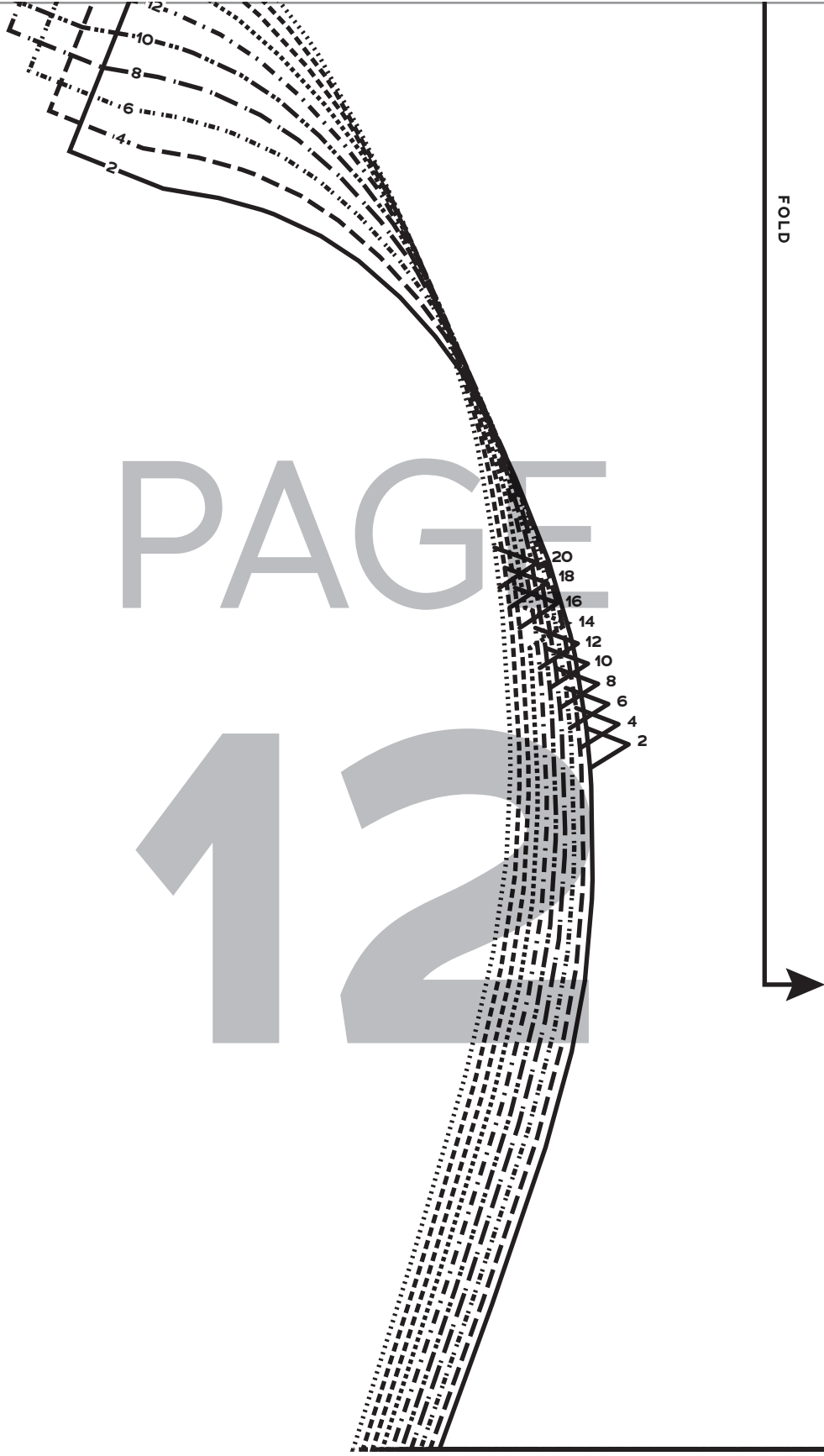
PAGE

11



FOLD BACK THIS MARGIN





PAGE
12